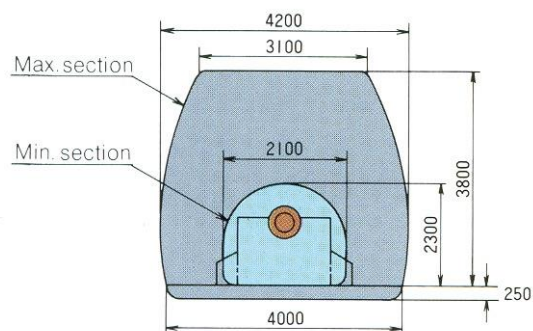


MITSUI MIIKE S65 ROADHEADER

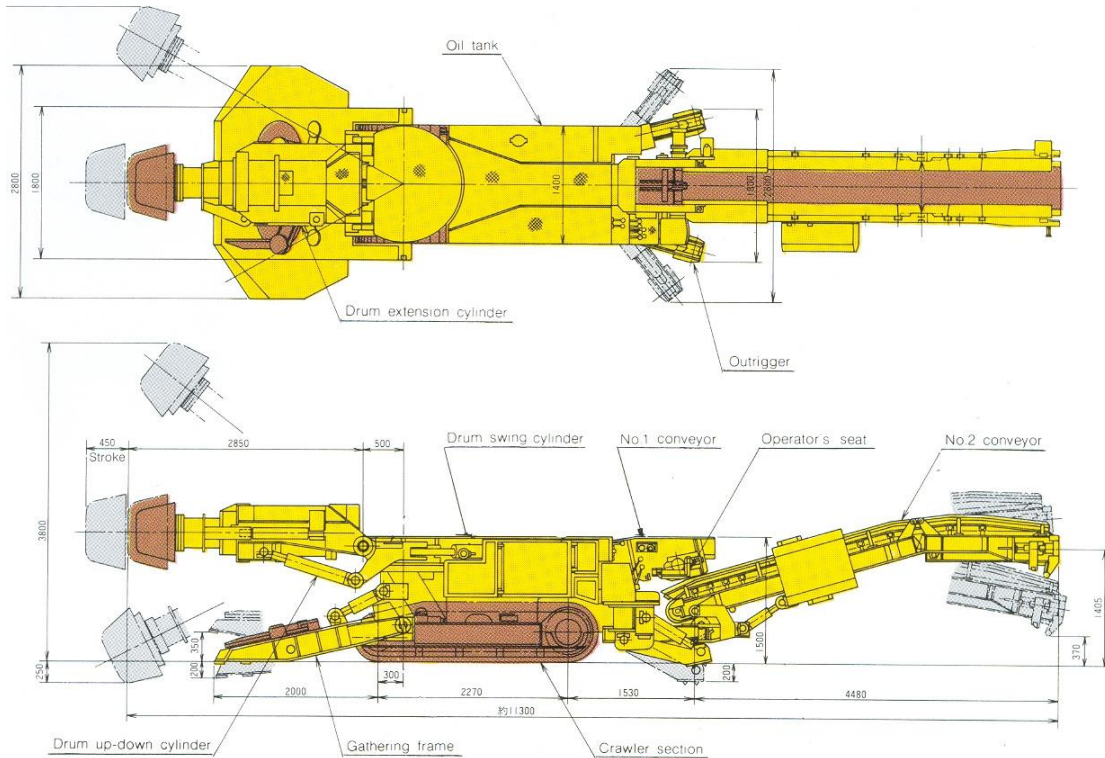
Specifications

Total Weight	22 - 25t approx
Total Length	11.3m
Total Width	2.8m (or 1.8m)
Total Height	1.5m
Cutter Motor	65 kW
Hydraulic Motor	22 kW
Cutting Drum Extension	450mm
Max Cutting Height	3.8m
Max Cutting Width	4.2m (Stationary)
Gathering Width	2.8m (or 1.8m)
Loading Capacity	Max. 2.8m ³ /min
No.1 Conveyor	Single Chain Conveyor
Trough Width	450mm
No.2 Conveyor	Belt Conveyor (500mm Wide)
Crawler Shoe Width	350mm
Overall Crawler Width	1400mm
Cutting Capacity	58 mpa



Cutting Dimensions

Dimensional Drawing

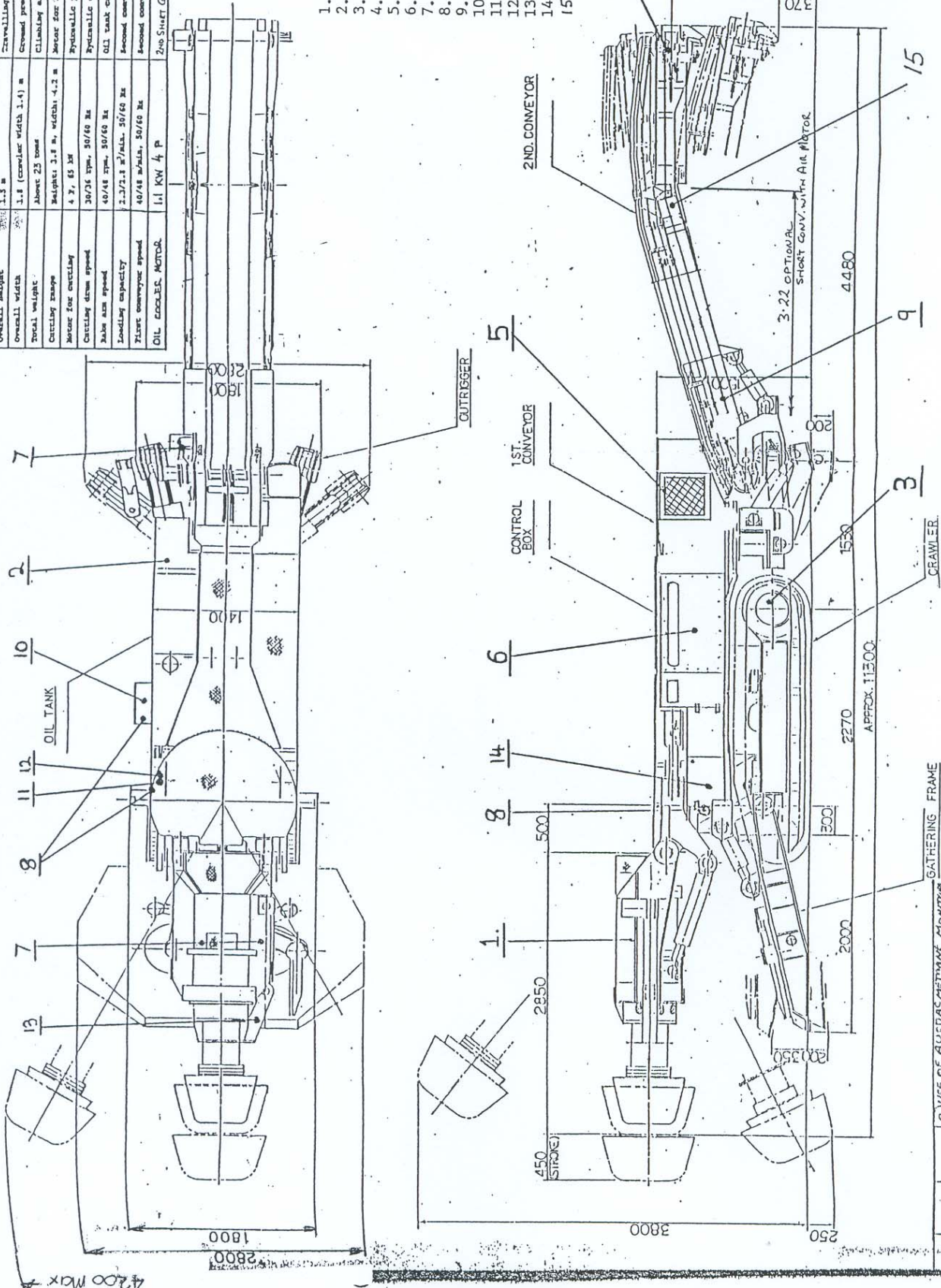


S65 Cutting Efficiency Chart

Uniaxial Compressive Strength of Rock kg/cm ²	Cutting Efficiency m ³ /hr	Pick Consumption pcs/m ³	Type of Pick
100	50 ~ 30	0.01 ~ 0.04	RM8 - 10
200	40 ~ 25	0.03 ~ 0.05	RM8 - 10
300	30 ~ 20	0.06 ~ 0.08	RM8 - 10
400	20 ~ 15	0.08 ~ 0.015	RM8 - 15
500	15 ~ 10	0.18 ~ 0.25	RM8 - 15
600	12 ~ 8	0.20 ~ 0.30	RM8 - 15
700	10 ~ 6	0.30 ~ 0.40	RM8 - 15
800	8 ~ 4	0.40 ~ 0.50	RM8 - 15
900	6 ~ 3	0.50 ~ 0.70	RM8 - 15
1000	5 ~ 2	0.70 ~ 1.00	RM8 - 15

Main Specifications	Supply Power	415V 50 Hz.
Overall length	Travelling motor	4 P, 7.5 KW
Overall height	Travelling speed	7.5/7 m/min, 30/60 M
Overall width	Ground pressure	1.0 kg/cm ²
Total weight	Clearing angle	± 15°
Cutting range	Motor size hydraulics	4 P, 22 KW
Motor for cutting	Hydraulic pump	Three-throw gear pump
Cutting drum speed	Hydraulic cylinders	11 cylinders
Roller drum speed	Oil tank capacity	About 180 J
Loading capacity	Second conveyor speed	6.7/1 m/min, 30/60 M
Flare conveyor speed	2nd Short Conv. with Air Motor	3.22 m. Long.
OIL COOLER MOTOR		

- LEGEND
- 65 KW CUTTER MOTOR
 - 22 KW MOTOR FOR HYDRAULICS
 - 7.5 KW MOTOR FOR TRAVELLING
 - 3 KW MOTOR 2nd CONVEYOR (OPT)
 - 1.1 KW MOTOR OIL COOLER
 - FLAMEPROOF ENCLOSURE
 - HEADLIGHTS
 - EMG. STOP SWITCHES
 - EMG. STOP FULL LANYARD
 - START UP STATION
 - I.S.S. PENDANT STATION
 - METHANE MONITOR
 - METHANE MONITOR SENSOR
 - HYDRAULIC COMPONENTRY BOX
 - AIR DRIVEN SHORT CONV. (OPT)



DWR. S65-1 REV. 2
23-4-93

No.	BY	DATE	REVISION
1	P. REID	23/11/93	a) USE OF AUSDAC METER MONITOR AND ASSOCIATED EQUIPMENT OR OTHER APPROVED TYPE TO BE OPTIONAL. b) REVISION OF PENDANT LAYOUT OF CONTROL AND ENCLOSURE
2	P. REID	23-11-93	2nd Elect Conv. OPTIMISED WITH AIR.