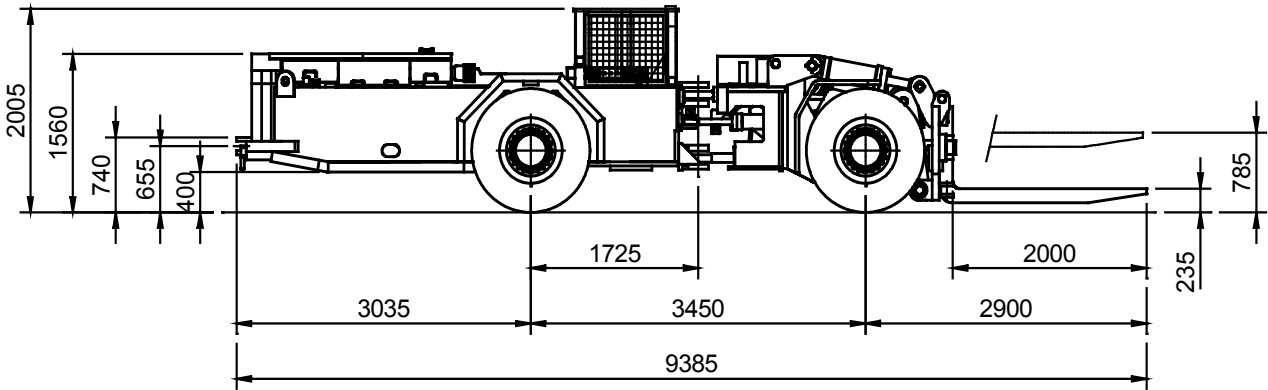
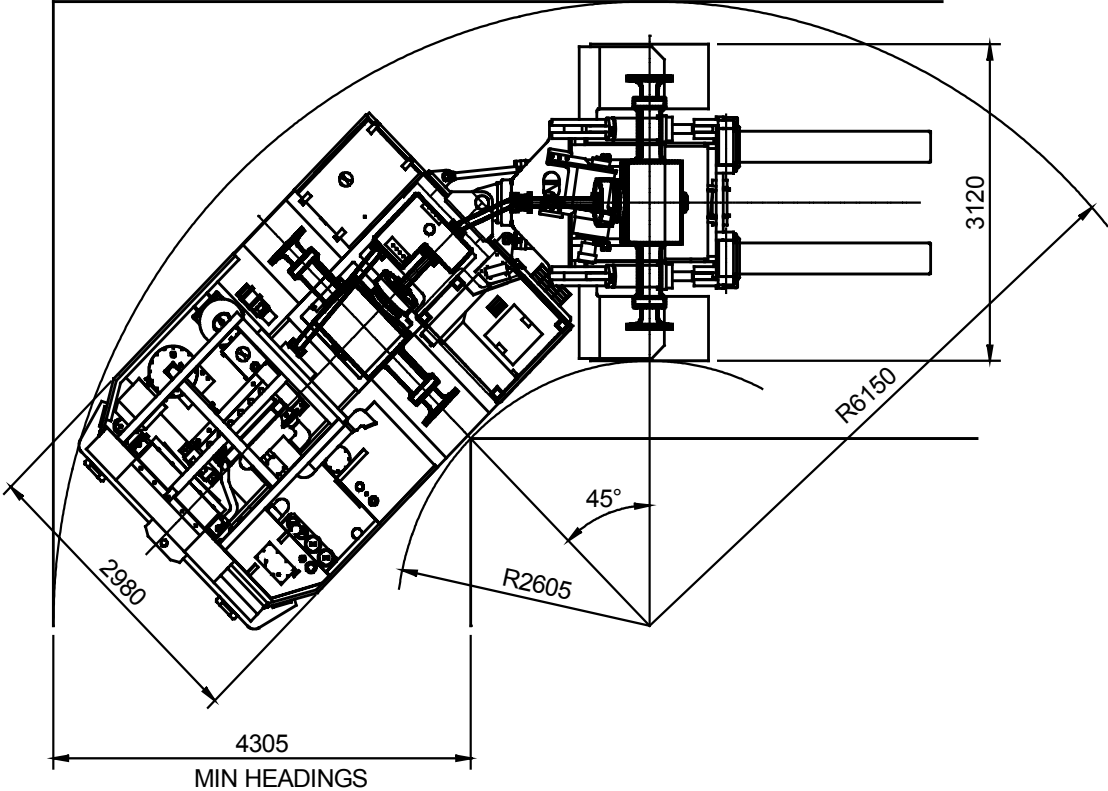




# EIMCO 936 FLP WITH VERTICAL LIFT

DATA SHEET: A2U936-850011 Rev.: 7

Date: 28-03-2001 Page 1 of 4



**DIMENSIONS ARE APPROXIMATE AND APPLY ONLY TO STANDARD MACHINES**

## EIMCO 936 FLP WITH VERTICAL LIFT

DATA SHEET: A2U936-850011 Rev.: 7

Date: 28-03-2001 Page 2 of 4

### CAPACITIES

Payload .....	30,000 kg @ 1800 mm from fork face
<b>Standard Forks</b>	
Fork Tyne Section .....	305 x 140 mm
Machine carry capacity will vary using different attachments, consult Eimco for particular applications.	
<b>Ejector Buckets</b>	
Heaped Capacity (SAE) .....	4 m <sup>3</sup>
Struck Capacity .....	3 m <sup>3</sup>
Other buckets available up to 10m3 ... (Consult factory)	

### SERVICE CAPACITIES

Hydraulic Tank .....	140 litres
Fuel Tank .....	150 litres
Transmission/Converter Oil .....	38 litres
Engine Crankcase Oil .....	29 litres
Engine Cooling System Water .....	76 litres
Axle Oil .....	32 litres ea
Water Scrubber/Make Up Tank .....	430 litres

### WEIGHT

Operating With ForkTynes Only .....	37,000 kg
<b>Ground Pressures</b> (Setco Wheels)	
Loader End .....	870 kPa
Power Module .....	85 kPa

### ENGINE

Type .....	Diesel, Precombustion, Water Cooled
Make/Model .....	Caterpillar 3306 PCNA
Displacement .....	10.5 litre
Maximum Power .....	100.9 kW @ 2200 RPM
Max Torque @ RPM .....	556 Nm @ 1100 RPM
Starting Motor Type .....	Air
Ventilation (Recommended N.S.W) .....	6.05 m <sup>3</sup> /s

### Engine Speeds

Low Idle .....	650 RPM
High Idle .....	2320 RPM
Full load RPM .....	2200 RPM

### Stall Speeds

Converter Stall .....	2260 RPM
Full Stall .....	1860 RPM

### Fuel Consumption

Average Mine Duty .....	26.5 l/hr
-------------------------	-----------

### Intake System

Type .....	Dry Paper with Dual Elements
Make .....	Donaldson

### Alternative High Power Injectors

Maximum Power .....	114.7 kW @ 2200 RPM
Max Torque @ RPM .....	562 Nm @ 1100 RPM
Fuel consumption (max power) .....	41 l/hr
Purifier downpipe mandatory	

### Exhaust System

Type .....	Flameproof Water Bath Conditioner
Make .....	Eimco

### Alternative Exhaust System

Exhaust System .....	Flameproof dry scrubber
Particulate filter .....	Paper element
Make .....	DST
Maximum Power .....	103.2 kW @ 2200 RPM
Max Torque @ RPM .....	556 Nm @ 1200 RPM
Fuel consumption (max power) .....	35 l/hr

### Alternative High Power Injectors

Maximum Power .....	110.1 kW @ 2200 RPM
Max Torque @ RPM .....	556 Nm @ 1200 RPM
Fuel consumption (max power) .....	41 l/hr

### POWER TRAIN

#### Transmission

Type .....	Non Modulated Powershift
Make/Model .....	Clark R28624
Speeds Fwd & Rev .....	6 (Dual Range)
Gear Ratios .....	8.92, 4.71, 2.31, / 3.75, 1.98, 0.97

#### Torque Converter

Type .....	Single Element
Make/Model .....	Clark C273.5
Stall Ratio .....	1.820:1
Offset Ratio .....	1.290:1
Pump Drive Ratio .....	1.135:1

#### Axles

Type .....	Inboard Planetary
Front Axle Make/Model .....	John Deere AN140
Rear Axle Make/Model .....	John Deere AN85
Differential Type .....	Spiral Bevel Gear and Pinion
Differential Lock Type .....	Hydraulic Dif-loc
Overall Ratio .....	22.222:1

#### Wheels

Make/Model .....	Eimco 3 Piece
Wheel Nut Make/Type .....	Eimco 1-1/8" UNS
Wheel Nut Torque .....	1900 Nm

#### Tyres

Type .....	Setco / Dico
Size .....	48" x 25"-22"
Setco .....	Solid Rubber
Ply Rating (Dico) .....	50 ply

#### Tractive Effort

Low Range 1 <sup>st</sup> gear (maximum) .....	27100 kg
Low Range 2 <sup>nd</sup> gear (maximum) .....	16900 kg
Low Range 3 <sup>rd</sup> gear (maximum) .....	1000 kg
High Range 1 <sup>st</sup> gear (maximum) .....	15200 kg
High Range 2 <sup>nd</sup> gear (maximum) .....	16900 kg
High Range 3 <sup>rd</sup> gear (maximum) .....	10200 kg
4 <sup>th</sup> gear (maximum) .....	7600 kg

### OSCILLATION

Type .....	Bar Linkage 3 Point
Bearing .....	Spherical Self Aligning
Bearing Material .....	Hardened Steel
Pin Material .....	Hardened Steel
Degrees Up and Down from Horiz. ....	6 deg

## EIMCO 936 FLP WITH VERTICAL LIFT

DATA SHEET: A2U936-850011 Rev.: 7

Date: 28-03-2001 Page 3 of 4

### ARTICULATION

Bearing Type.....Spherical Self Aligning  
Bearing Material.....Hardened Steel  
Pin Material.....Hardened Steel  
Degrees of Turn Either Side .....45 deg

### SEATING

Type ..... Cross Seated  
Make ..... Eimco  
Suspension ..... Adjustable Air Bag  
With Shock Absorbers

### CANOPY

**R.O.P.S.**  
Roll Bars..... 1800-2000 mm  
**F.O.P.S.**  
Drivers Canopy ..... 1800-2000 mm

### HYDRAULIC SYSTEM

#### Circuits

Steering/Brakes ..... Closed Centre 17.2 MPa  
Bucket/Lift ..... Open Centre 17.2 MPa  
Optional 220 lpm PTO ..... Open Centre 17.2 MPa  
Tank Type ..... Sealed and Pressurised  
Tank Pressure.....50 kPa

#### Filtration

Suction ..... 100 Mesh Strainer, Magnetic, Washable  
Return Standard..... In Line, 10 micron  
Element Type/Bypass Press..... Replaceable 350 kPa  
Optional Return 220 lpm PTO ..... In Line, 10 micron  
Element Type/Bypass Press..... Replaceable 350 kPa

#### Pumps

Main Pump  
Type ..... Gear  
Std Pump Output @ 2200 engine RPM..... 64.41 l/min  
Steering Pump  
Type ..... Axial Piston Pressure Compensated  
Std Pump Output @ 2000 engine RPM..... 76 l/min

#### Cylinders

Type ..... Double Acting  
Rods..... Case Hardened and Hard Chromed  
Bore x Stroke x Rod Diameter  
Steering..... 127 x 654 x 57 mm  
Lift ..... 152 x 495 x 89 mm  
Dump..... 191 X 430 X 89 mm  
Osciloc ..... 44 x 132 x 25 mm

#### Steering System

Type ..... Centre Articulated, Hydraulic  
With Accumulator Reserve  
Control Valve..... Closed Centre  
Actuation ..... Stick or Orbital  
Cylinder Relief..... 18.6 MPa

### Steering Accumulators

Type ..... Piston, Nitrogen Charged  
Quantity/Capacity ..... 2 @ 4 litre  
Operation Precharge Pressure ..... 6.2 MPa

### Bucket System

Control Valve..... Open Centre  
Actuation ..... Hydraulic Pilot Operated

### Cylinder Reliefs

Lift Arm Raise..... 18.6 MPa  
Lift Arm Lower ..... 18.6 MPa  
Bucket Roll Back ..... 18.6 MPa  
Bucket Dump..... 18.6 MPa  
Winch In/Out..... 18.6 MPa

### Service Brake System

Control Valve..... Dual, Closed Centre  
Actuation ..... Foot Pedal  
Application Pressure ..... 0-15.8 MPa

### Park Brake System

Control Valve..... 2 Position/3 Way  
Actuation ..... Push Button  
Release Pressure..... 3.45 MPa

### Brake Accumulator

Type ..... Piston, Nitrogen Charged  
Quantity/Capacity ..... 2 @ 1 litre  
Operation Precharge Pressure ..... 6.2 MPa

### BRAKES

#### Service

Type ..... Totally Enclosed, Liquid Cooled  
Make..... John Deere  
Application..... Hydraulic with Accumulator Reserve  
Front and Rear Independent Systems

Location..... Inboard

#### Park

Type ..... Wet Disc  
Make..... Eimco  
Application..... Spring Applied  
Hydraulic Released

Location..... Input To Each Axle

### AIR SYSTEM

Air Receiver – Gear Driven Off Engine  
Governed Pressure ..... 860 kPa  
Relief Pressure..... 1034 kPa  
Air Receiver Volume ..... 90 litres

### ELECTRICAL SYSTEM

Type ..... Approved Flameproof  
Voltage ..... 12v  
Polarity ..... Negative Ground  
Lights..... 2 Front, 2 Rear  
Type .... Approved Flameproof, Customer Preference  
Alternator..... Hydraulic or Engine Belt Drive  
Type .... Approved Flameproof, Customer Preference



# EIMCO 936 FLP WITH VERTICAL LIFT

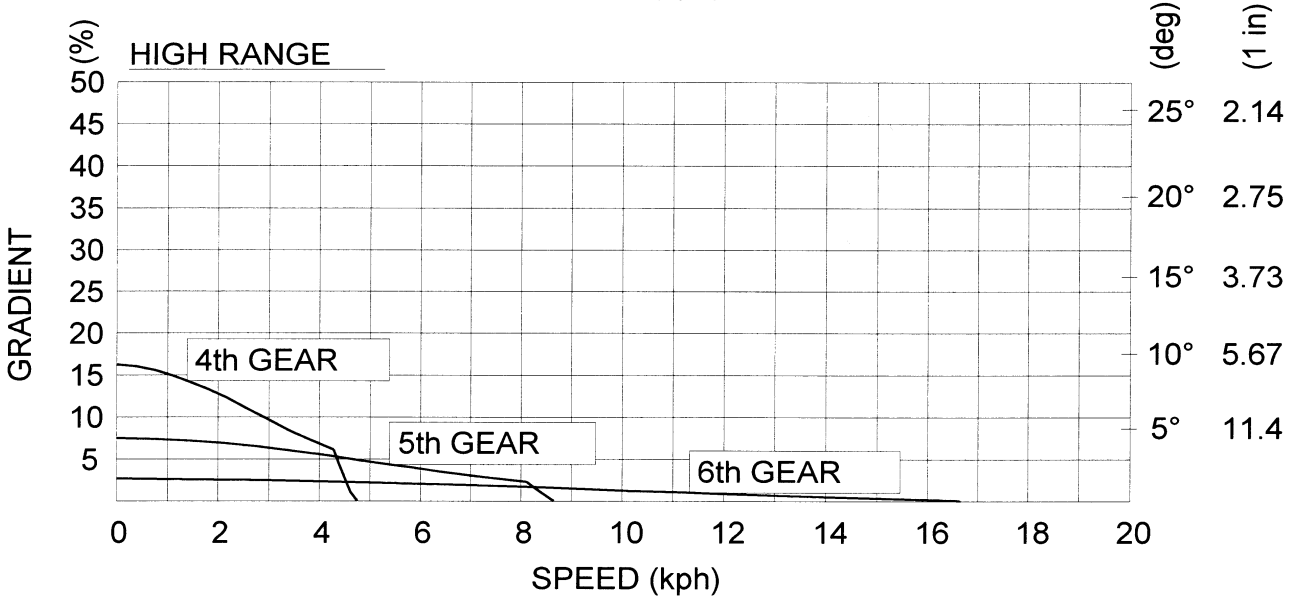
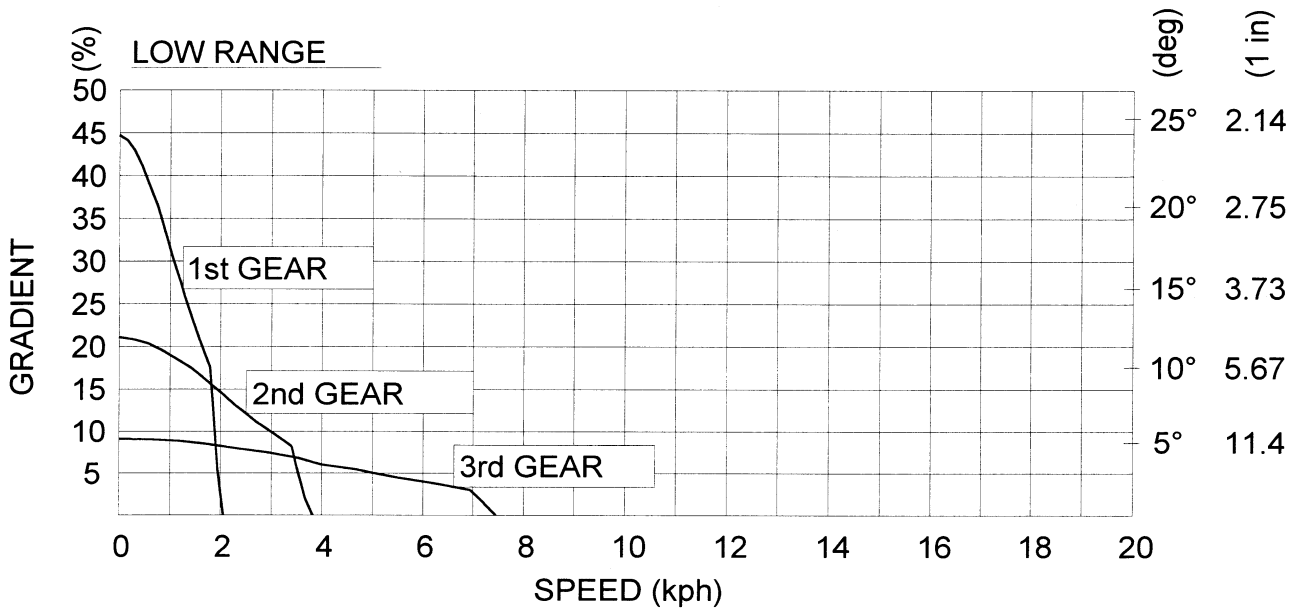
DATA SHEET: A2U936-850011 Rev.: 7

Date: 28-03-2001 Page 4 of 4

### VEHICLE SPEEDS

1 <sup>st</sup> Gear Low Range .....	1.8 km/h
2 <sup>nd</sup> Gear Low Range .....	3.5 km/h
3 <sup>rd</sup> Gear Low Range .....	7.0 km/h

1 <sup>st</sup> Gear High Range .....	4.3 km/h
2 <sup>nd</sup> Gear High Range .....	8.2 km/h
3 <sup>rd</sup> Gear High Range .....	14.0 km/h



## WARNING

Overloading of lifting equipment may cause personal injury, death or property damage. Due to configuration changes or options requested, weights stated above can vary by up to 20%.

**SPECIFICATIONS SUBJECT TO CHANGE WITHOUT NOTICE**