



MINE & TUNNEL CONSTRUCTION PTY LTD

ABN: 92 096 246 436

Administration

227 Woodpark Road
SMITHFIELD NSW 2164

Phone: +61 2 9725 2772

Fax: +61 2 9604 4309

Wyong Workshop

8 Lucca Road
NORTH WYONG NSW 2259

Phone: +61 2 43534977

Fax: +61 2 43522528

Email: kerry@mtcwyong.com.au

Eimco 913 LHD (Load Haul Dump)

Plant Number MOB-037



Machine Specifications & Serial Number Details

Machine Serial Number:	913-0642
Built:	April 2002
MDADES:	33
MDADEV:	15020
Engine:	Caterpillar 3306 PCNA
Engine Serial Number:	23C02945
Engine Registration	MIR07120

Rebuilt: February 2002 to full AS3584 Compliance.
Scrubber system (AS3584) is V A Eimco System installed new on rebuild

Canopy: Eimco Approved fitted.

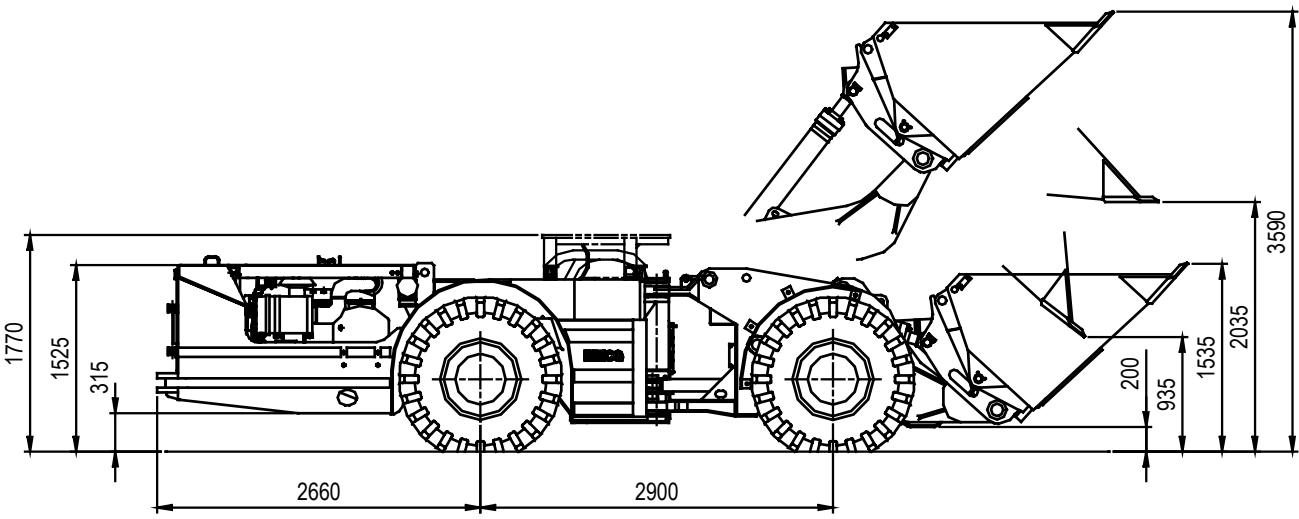
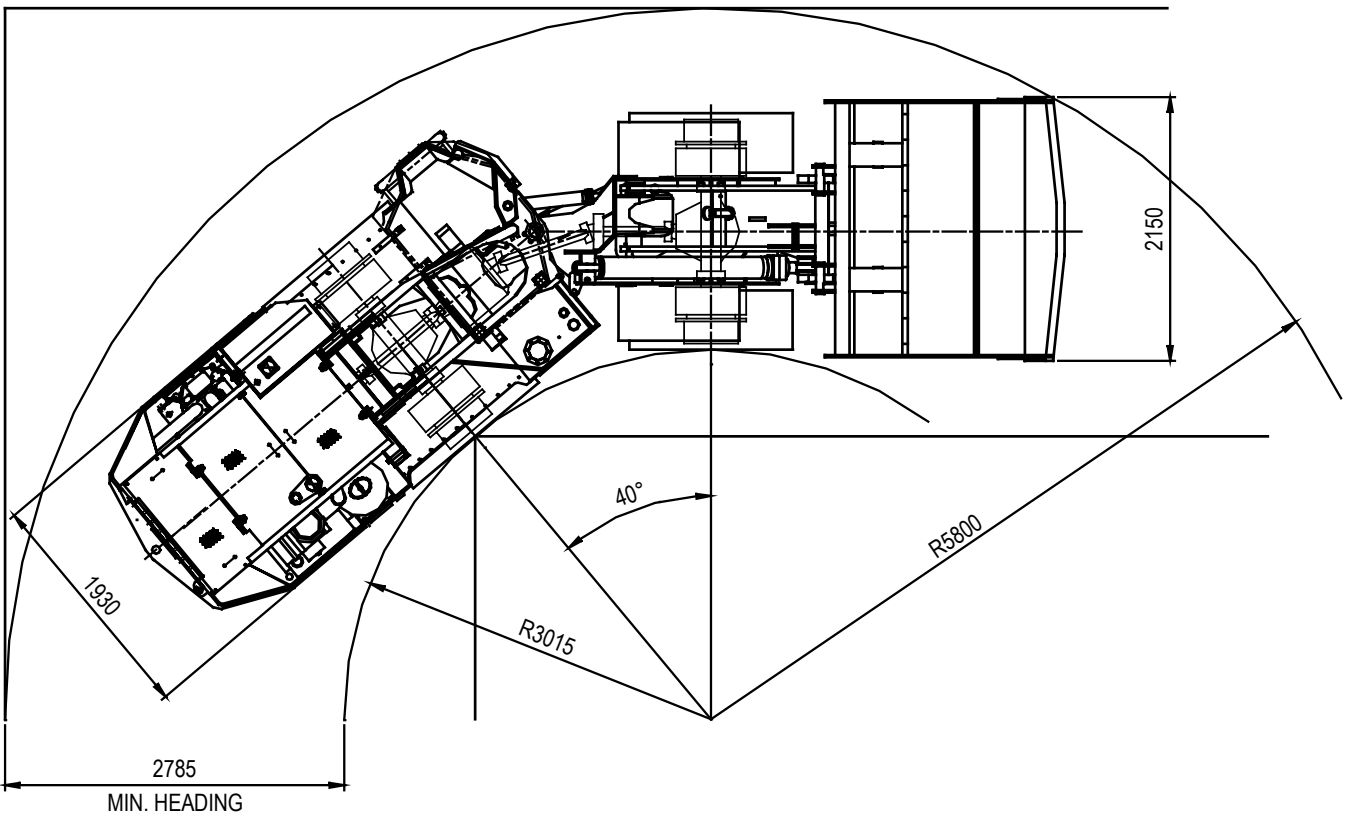
Air Throttle: Hydraulic PTO mounted on front and rear.

Machine Height from Ground 1,820 mm

Last Code: August 2009

913-6 LHD FLAMEPROOF CATERPILLAR 3306 PCNA ENGINE

DATA SHEET: A2U913-850058 Rev.: 1
Date: 06-11-97 Page 1 of 4



DIMENSIONS ARE APPROXIMATE AND APPLY ONLY TO STANDARD MACHINES

913-6 LHD FLAMEPROOF CATERPILLAR 3306 PCNA ENGINE

DATA SHEET: A2U913-850058 Rev.: 1
Date: 06-11-97 Page 2 of 4

CAPACITIES

Payload	5,440 kg	
Standard Bucket	2130 mm	
Heaped Capacity (SAE).....	2.6 m	3
Struck Capacity.....	2.2 m	3
Ejector Bucket (SAE) Heaped.....	2.2 m	3
(Other buckets available, consult factory)		
Breakout Force (SAE)	8,200 kg	
Breakout Force (Hydraulic)	10,000 kg	
Tipping load, Fully Turned	12,700 kg	

SERVICE CAPACITIES

Hydraulic Tank	227 litres
Fuel Tank	138 litres
Transmission/Converter	21 litres
Engine Cranckcase Oil	27 litres
Differential	22 litres ea
Wheel End.....	6.6 litres ea
Axle Total	35 litres
Water Scrubber/Makeup Tank.....	343 litres

WEIGHT

Operating (incl.canopy)	16,370 kg
Ground Pressures	
Loader End.....	500 kPa
Power Module	210 kPa

ENGINE

Type Diesel, Precombustion,Water Cooled
 Make/Model..... Caterpillar 3306 PCNA
 Displacement 10.5 litre
 Power @ RPM 100.9 kW @ 2200
 Max Torque @ RPM 556 Nm @ 1100
 Starting Motor Type Air
 Ventilation (NSW requirements) 6.05 m3/sec
 Engine Speeds
 Low Idle.....600-650 RPM
 High Idle 2300-2350 RPM
 Governed2200 RPM
 Stall Speeds
 Converter Stall 1940-2150 RPM
 Full Stall 1500-1600 RPM
 Fuel Consumption
 Average Mine Duty.....26.5 l/hr
 Intake System
 Type Dry Paper with Dual Elements
 MakeDonaldson
 Exhaust System
 Type Flameproof Water Bath Conditioner
 MakeEimco

POWER TRAIN

Transmission
 Subject to supplied base machine
 Torque Converter
 Subject to supplied base machine
 Axles
 Subject to supplied base machine

Wheels
 Wheel Nut Torque 610 Nm
 Tyres
 Type L3 R-LUG
 Size 17.50" x 25"
 Ply Rating 16
 Inflation Pressure Front 420 kPa
 Rear 280 kPa

OSCILLATION

Type Rear Axle Bolster
 Degrees Up and Down from Horiz +/- 8 deg

ARTICULATION

Bearing
 TypeSpherical Plain
 Pin MaterialHardened Steel
 Degrees of Turn either side.....36 deg

SEATING

TypeSuspension
 Make/Model.....Customer preference

CANOPY

R.O.P.S
 High 2134 mm
 Low 1828 mm
 F.O.P.S
 Collapsible..... 1676-1828 mm
 High 2500 mm
 Low 2178 mm



913-6 LHD FLAMEPROOF CATERPILLAR 3306 PCNA ENGINE

DATA SHEET: A2U913-850058 Rev.: 1
Date: 06-11-97 Page 3 of 4

HYDRAULIC SYSTEM

Circuits
 Steering/Brakes
 Type Closed Centre
 Pressure 13.8 MPa
 Bucket
 Type Open Centre
 Pressure 13.8 MPa
 Applicable Fluid Mineral Oil
 Filtration
 Suction 40 micron
 Pumps
 Steering/Brakes
 Type Vane
 Make Denison
 Output @ 2200 Engine RPM 53 l/min
 Bucket
 Type Vane
 Make Denison
 Output @ 2000 Engine RPM 160 l/min
 Cylinders
 Bore x Stroke x Rod Diameter
 Steering 89 x 462 x 44.5 mm
 Lift 152 x 825 x 89 mm
 Dump (Tilt) 152 x 1384 x 89 mm
 Eject 127 x 285 x 54 mm
 Steering System
 Type Closed Centre Orbital
 Control Valve Type Char-Lynn
 Actuation Orbital
 Cylinder Relief 15 MPa
 Accumulator Type Piston
 Quantity/Capacity 1/4 litre
 Precharge Pressure 6.2 MPa
 Bucket System
 Control Valve Gresen
 Actuation Spool
 Cylinder Relief 13.8 MPa

AIR SYSTEM

Air Compressor - Gear Driven Off Engine
 Governed Pressure 860 kPa
 Relief Pressure 1034 kPa
 Air receiver Capacity 90 litres

ELECTRICAL SYSTEM

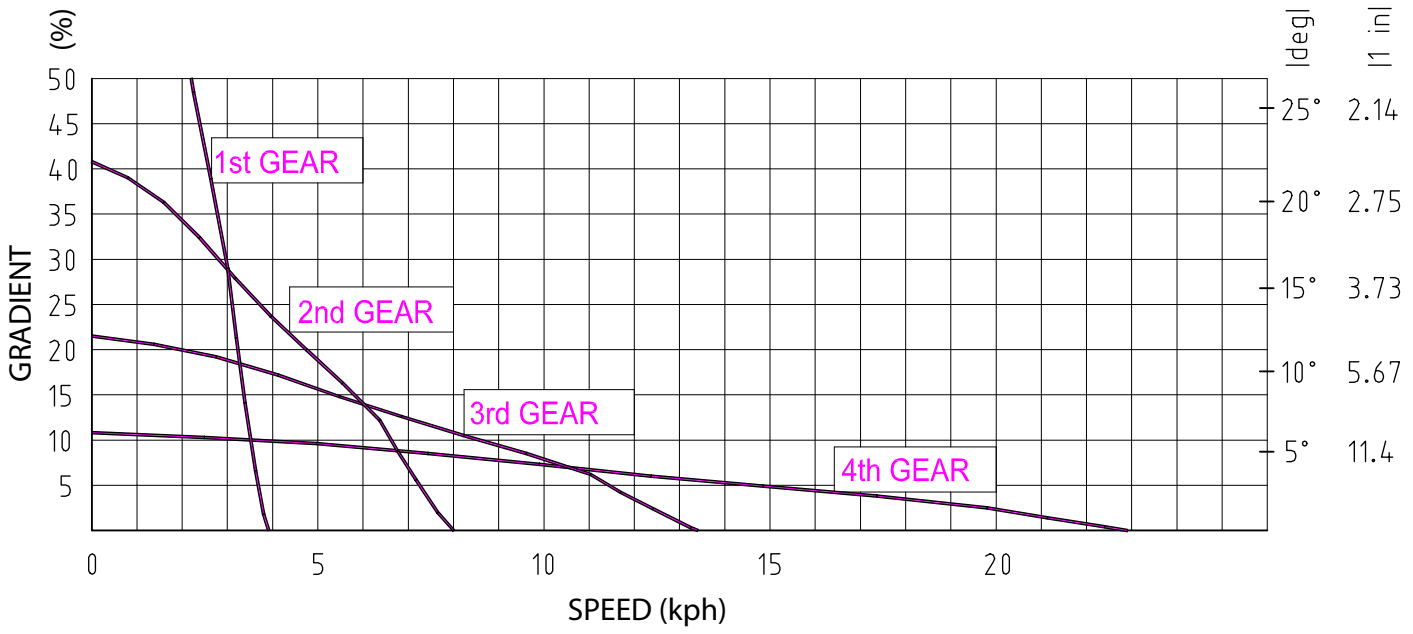
Voltage 12V
 Alternator Make/Model Customer preference
 Approved Flameproof
 Alternator Rating 55 Amp
 Lights Flameproof

BRAKES

Service
 Subject to supplied base machine
 Park
 Subject to supplied base machine

913-6 LHD FLAMEPROOF CATERPILLAR 3306 PCNA ENGINE

DATA SHEET: A2U913-850058 Rev.: 1
Date: 06-11-97 Page 4 of 4



WARNING

Overloading of lifting equipment may cause personal injury, death or property damage. Due to configuration changes or options requested, weights stated above can vary by up to 20%.

SPECIFICATIONS SUBJECT TO CHANGE WITHOUT NOTICE